



KUZMA STABI S PS TURNTABLE (on photo with Stogi S tonearm and clamp).....

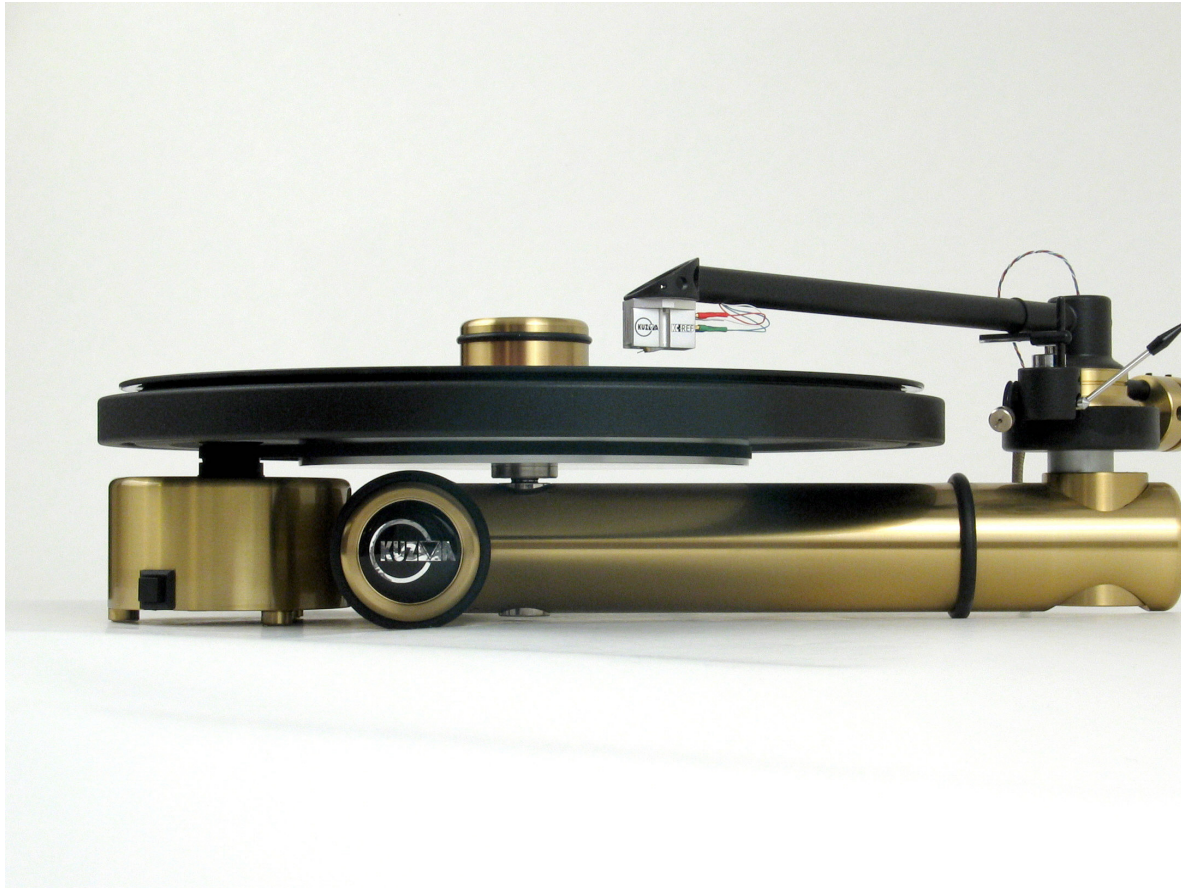
Instruction manual

2011-11

KUZMA LTD

INSTRUCTION MANUAL FOR STABI S PS turntable

The **Stabi S PS** turntable is a very precisely engineered piece of equipment. The construction, however, is robust and requires little maintenance for optimal performance.



CONTENTS:	Page
General	3
Unpacking	4
Basic Setup	5-6
Turntable set up	7
Use and adjustment	8
Maintenance	9
Upgrades	10
Troubleshooting	11

General Description:

the turntable is packed in one box on which is indicated whether a Stogi S tonearm is included, or an armboard for a different tonearm.

The basic approach to the turntable design was the same as that of all our products. Its unique shape and construction from solid brass rods, provide an extreme rigid connection of platter, bearing and tonearm support. The motor is housed independently in its own tower which dampens motor vibration. The bearing is of highly polished, fine grain carbon steel with a one point contact, while the bearing sleeve is of a resin/textile material which has excellent damping, non-resonant and high sliding properties. With the mat on top and rubber insert underneath, the platter provides a stable non - resonant platform for records, which can also be clamped.

External power supply (PS) allows speed changes. The turntable can accommodate various tonearms by the use of different brass bases and allows for VTA adjustment on any tonearm mounted. It is possible to add a second tonearm if a special adaptor (available as an optional extra) is added.

Stabi S turntable :Technical data

Mass:	13 kg
Platter:	4 kg
Motor:	AC synchronous
Speeds:	33, 45 rpm (electronic)
Dimension:	400x 300x 140 mm
PS mains:	internal selectable 100-245V

Optional: clamp, wooden platforms, various armboards, adaptor for second tonearm, 12 inch version platter kit.

Safety Precautions:

Electrical connection to the mains comes from the motor assembly via the cable. Please keep the motor assembly and PS away from moisture and be careful not to damage cables. If in doubt consult your dealer.

Unpacking:

The whole turntable with tonearm (if supplied) is packed in one box. Before unpacking the individual parts of the turntable, prepare the area where the unit will be situated. The best position is on a solid shelf which is strong and rigid enough to support the turntable. For best performance this should be completely horizontal.

Contents:

Instruction manual, lid, T base, motor tower, oil bottle, belt, Allen key 3 mm, subplatter, platter, PS,...

Optional:

Stogi S tonearm with its own accessories

Clamp (in box- see Fig 3)

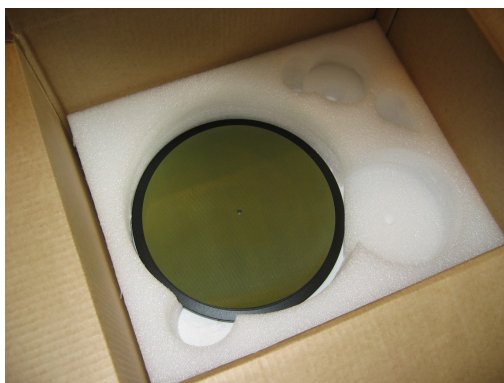
Wooden platform (on top of the box)



Unpacking: T base and parts Fig 3.



Unpacking: subplatter Fig 4.



Unpacking: platter Fig 5.



Power supply (PS): Front panel

Basic setup:

Note: Carefully unpack parts which are in protective plastic bags.

Note: When assembling the motor tower and platter, ensure that the platter will not touch or damage the motor pulley! Check the distance of the motor tower from the T base.

Note: While the parts are packed in plastic bags for protection, these are not intended to be strong enough to lift or carry the parts.

Note: Allow space above Power supply for ventilation, of at least 10-20 mm.

Lid:

If the turntable is supplied with a wooden platform, remove this and place in position. The rounded part should be on the left. Locate the three small holes which correspond to the intended position of the three black rubber rings on the main T base. If the turntable is supplied with Stogi S tonearm remove it in its box.

Unpack lid and put it aside.

T base:

Remove the foam and lift the main T base (fig. 3) of turntable carefully as it is heavy and put it on a shelf so that the side with the bearing is situated at 8 o' clock and the side with the tonearm mount at 2' o clock. See fig 6.



Position T base + motor tower Fig 6.

Motor tower:

Lift the motor tower with the connected 5pin DIN cable, being careful not to touch the black motor pulley. Position it in the 8 'o clock position in the middle of the shorter length of the T base. See fig.6. Turn the motor tower so that the mains switch faces forwards- this switch is not functional when motor is supplied with PS or is omitted. The distance between the motor tower and T base should be approximately 10 mm.

The motor tower distance affects the speed very little. A difference of a few mm, keeps the speed tolerances below 0.1%.

Bearing oil:

From the oil bottle, fill the bearing hole on the T base with 25 drops from the oil bottle.

Subplatter:

Lift the aluminium subplatter from the box (fig 4) being careful not to touch the shaft with any sharp object such as keys, screwdrivers, etc. Remove the protective cover, insert the pointed part of the shaft into the bearing and manually check for free rotation.

Belt:

Place the belt over the subplatter and over the motor pulley. Check by manual rotation that the belt runs smoothly in the middle of the motor pulley groove.

Power supply connection:

Position the power supply (PS) in such a way, that it will be convenient for operation of the turntable. You should, however, allow space above for ventilation, of at least 10-20 mm.

The cable which connects the power supply and turntable motor has a five pin DIN plug, which should be inserted and locked into the connectors at the rear of the power supply.

Connect the mains cable into the mains and then switch on the power supply at the rear of the PS, which is left permanently on. A red light should appear on the front panel. Ignore switch on front of motor tower in case if your motor tower still have it.

Platter:

Remove the platter (fig. 5) from its protective bag while keeping the protective yellow cover on the mat. Place the platter carefully on top of the subplatter. Check again the position of the motor pulley in relation to the bottom surface of the platter. Remove plastic mat protection. Turn mains switch on at the rear and then rotate front knob to 33 RPM and check that the platter reaches full speed in about 4 seconds.

Turntable setup:

Ensure that the turntable is levelled horizontally. Tidy up the power cables that runs away from the signal wires as much as possible.

Tonearm mounting:

Stogi tonearms:

Follow instructions provided with the tonearm. The brass pillar should be removed from the T base by unlocking it with Allen key (3 mm) at the front end of the longer T base . Notice that the inside hole of the brass pillar is eccentric. This hole should be turned towards the platter bearing.

First put the tonearm into the brass pillar. The rotational position and height of the tonearm has yet to be determined so fix the tonearm only gently with Allen key (3 mm). Return the brass pillar to the T base and note position of the tonearm. Make desired changes before fixing the tonearm firmly into the brass pillar. The VTA can be adjusted by raising or lowering the brass pillar in the T base, after releasing the screw with Allen key (3 mm).

Other tonearms:

Remove the brass pillar and find underneath two threaded holes. Find the circular brass armbase (optional) with appropriate cutout. Using Allen key (3 mm) and two screws fit this onto the pillar. Insert back into T base and, with tonearm protractor, position the brass plate correctly by rotating the brass pillar while releasing the VTA screw with Allen key (3mm). See fig. 7. Follow tonearm mounting instructions. It is possible that in some circumstances the lid provided may not fit .

The Rega RB 300 tonearm can fit directly into the hole in the brass pillar. The hole in the brass pillar should be turned away from the platter bearing and a thin tube inserted over the tonearm's base. Finally the tonearm should be fixed by an Allen key into the brass pillar.



Circular brass armbase Fig 7.

Use and adjustments:

Platter rotation and speed selection:

Rotate the front knob on 33rpm position. Some starting noise may be audible from the belt in the first few weeks of use. To reach 45 rpm simply rotate knob to 45.

Fine Speed adjustment:

Fine speed changes can be made by rotation in the rotary switch, which is underneath the PS. Remove the rubber feet below the front left PS corner, turn it upside down and, using a small screwdriver changes can be made by carefully rotating the small dial.

Turning the dial in a clockwise direction lowers the speed (a total of 8 steps) and in a counter clockwise direction the speed is increased, again for 8 steps in 0.05% increments.

This will affect both speeds automatically. Use a strobe disc.

VTA adjustment:

Every tonearm mounted on this turntable can be adjusted for VTA. Release the brass pillar with Allen key (3 mm) and hold the tonearm in position while locking it back. It is helpful to mark the height position with a felt pen at the back of the brass pillar.

Clamp:

Simply place the brass clamp on top of the record.

Maintenance:

Mat:

The mat can be cleaned using a roller cleaner.

Bearing:

The oil in the bearing will last for 4 or more years. Running the bearing without oil will do little harm due to the materials used and type of construction.

A few drops of oil can be added after this time but it should be remembered that, when the shaft is re-inserted, the oil level will rise. If any spills out it should be wiped with a soft cloth.

Belt:

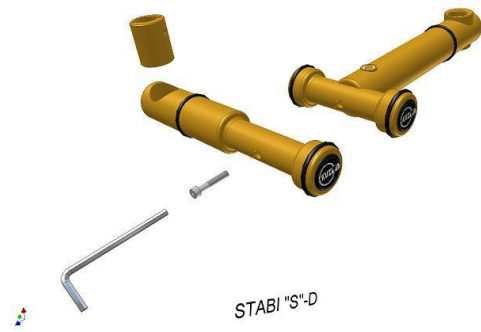
Periodically (about once a year) remove the platter and belt. Clean the belt and running surfaces of the motor pulley and subplatter with a soft cloth soaked in alcohol. For best performance replace the belt every three years.

Power supply:

Keep rear switch ON and only when you unplug audio system, unplug PS as well- keep area well ventilated.

Upgrades:

Adding second tonearm adaptor or 12 inch version tonearm adaptors are available, as well extra platter.



Second tonearm SD kit



Platter S kit

Troubleshooting:

Check also FAQ questions on our web site

Platter not rotating:

Check the belt.

Check mains connection.

Check PS red light is ON.

Very slow start:

The belt tension may be out of range. Bring the motor tower away from the T base.

Remove platter and belt and check if the subplatter rotates smoothly.

Power supply output failure.

Transportation:

For short distances remove the platter and belt and ensure that the cartridge is protected. Do not over tilt the T base in case there is oil leakage from the turntable or some tonearms. Fix parts so that they do not slide around during transport.

For longer transportation, however, parts should be replaced, in reverse order, into their original packing, ensuring in particular that protection foam is inserted between parts such as the subplatter, platter and T base. Be sure that the motor pulley is protected. See fig 3.

Kuzma Ltd

Hotemaze 17A

SI-4205 PREDDVOR

SLOVENIJA

P: + 386 4 25 35 450

F: +386 4 25 35 454

E mail: kuzmaltd@siol.net

www.kuzma.si